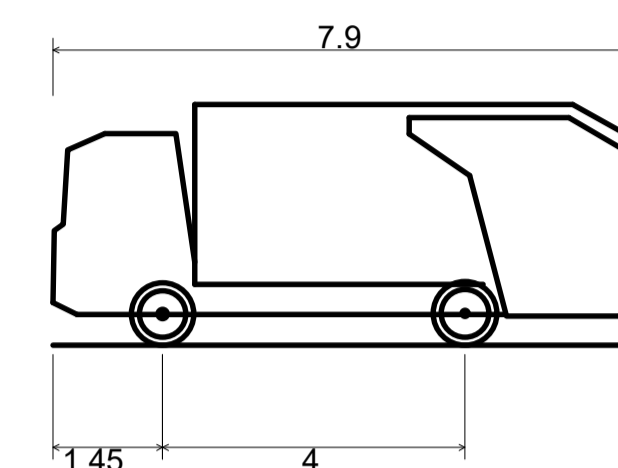


NOTES

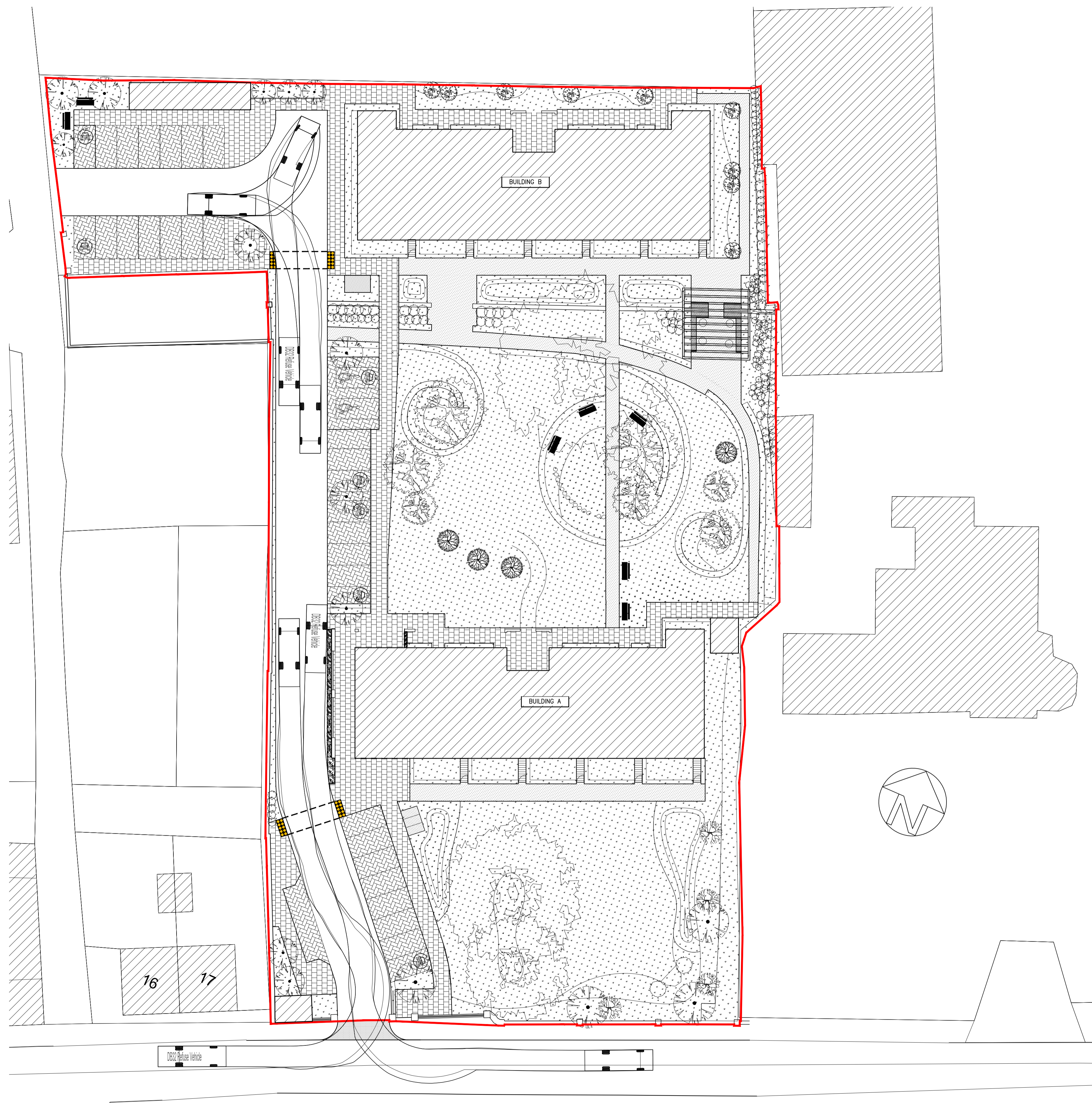
GENERAL

- 1.) THESE DRAWINGS TO BE READ IN CONJUNCTION WITH ALL RELEVANT HAYES HIGGINS ENGINEERING DRAWINGS AND SPECIFICATIONS.
- 2.) DO NOT SCALE. USE FIGURED DIMENSIONS ONLY.



DB32 Refuse Vehicle
 Overall Length 7.900m
 Overall Width 2.400m
 Overall Body Height 3.183m
 Min Body Ground Clearance 0.388m
 Max Track Width 2.400m
 Lock-to-lock time 6.00s
 Curb to Curb Turning Radius 9.625m

7.900m
 2.400m
 3.183m
 0.388m
 2.400m
 6.00s
 9.625m



P	10.08.23	ISSUED FOR PLANNING	FS	LM
REV	DATE	DESCRIPTION	DWG BY	APPR BY
ISSUED				
PLANNING				
CLIENT				
SOPHIA HOUSING				
PROJECT NAME				
ST JOHN'S CONVENT RATHANGAN				
DRAWING NAME				
PROPOSED SWEEP PATH ANALYSIS – REFUSE TRUCK SHEET 3 OF 3				
PROJECT No.				
20D004				
DRAWING No.			REVISION	
06C			P	
SCALE			DRAWN DATE	
1:250			10.08.23	
CAD DRAWN BY		CHECKED BY	APPROVED BY	
F.S.		L.M.	D.H.	

HAYES HIGGINS PARTNERSHIP
 The Glass House, 11 Coke Lane
 Smithfield, Dublin 7. Tel: 01 6612321
 E-mail: admin@hayeshiggins.ie
 Gas House Lane, Kilkenny. Tel: (056) 7764710
 Email: info@hhp.ie